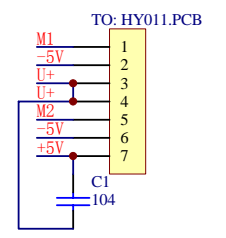
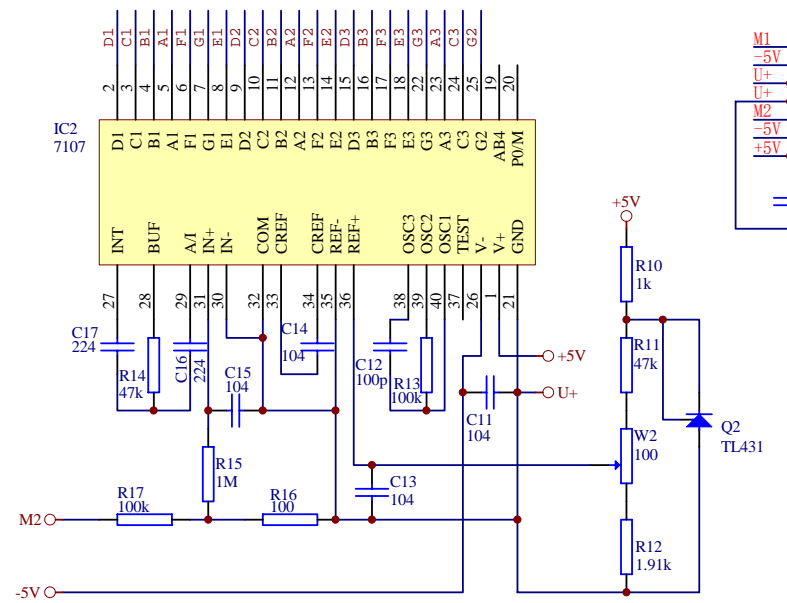
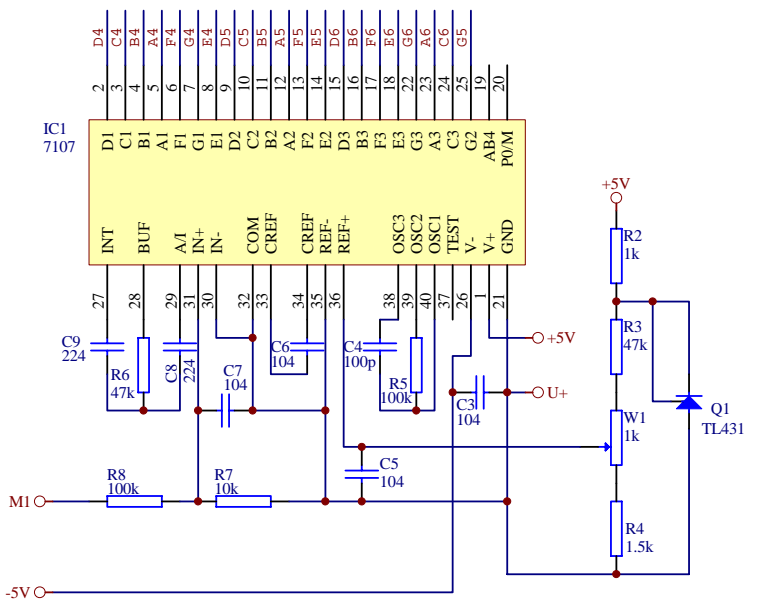
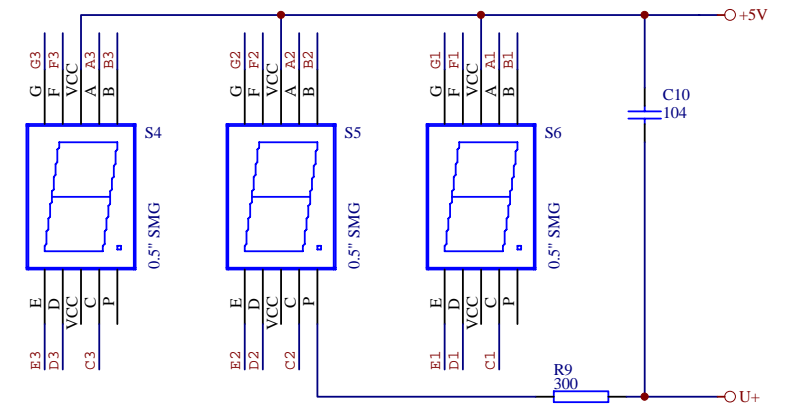
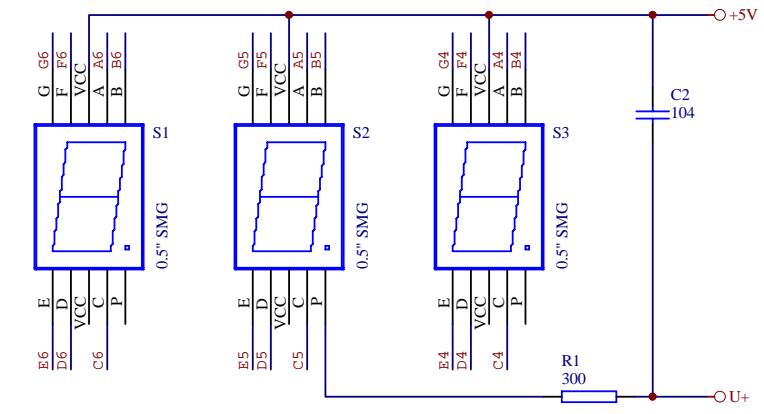


Circuit Diagram for HY3020E (1)
Only for Reference



Circuit Diagram for HY3020E (2)

PCB Number: HY026	Only for Reference
-------------------	--------------------