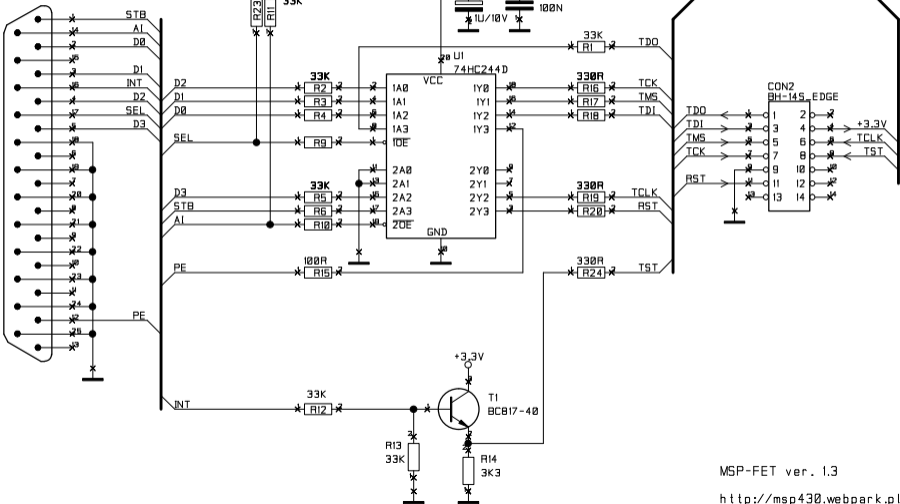


CON1
DSC-025_EDGE



MSP-FET ver. 1.3

<http://msp430.webpark.pl/>