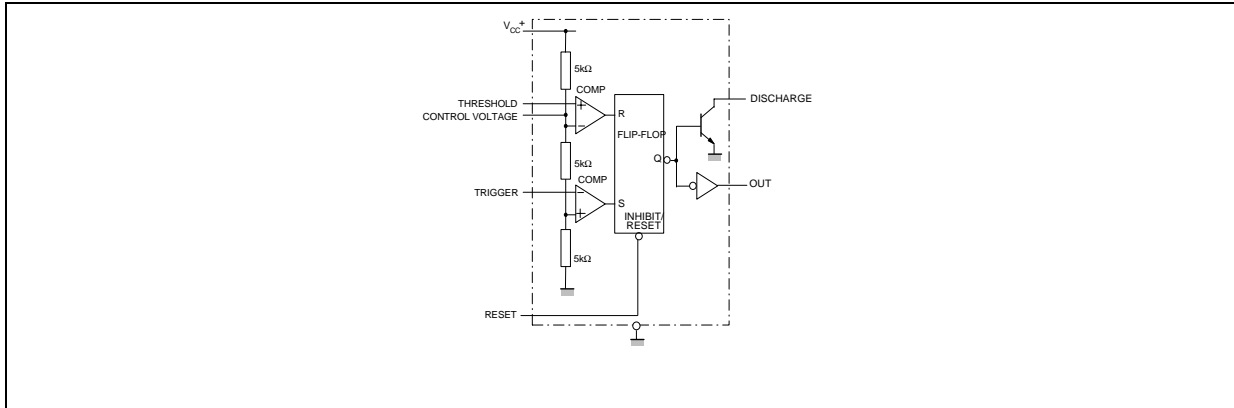
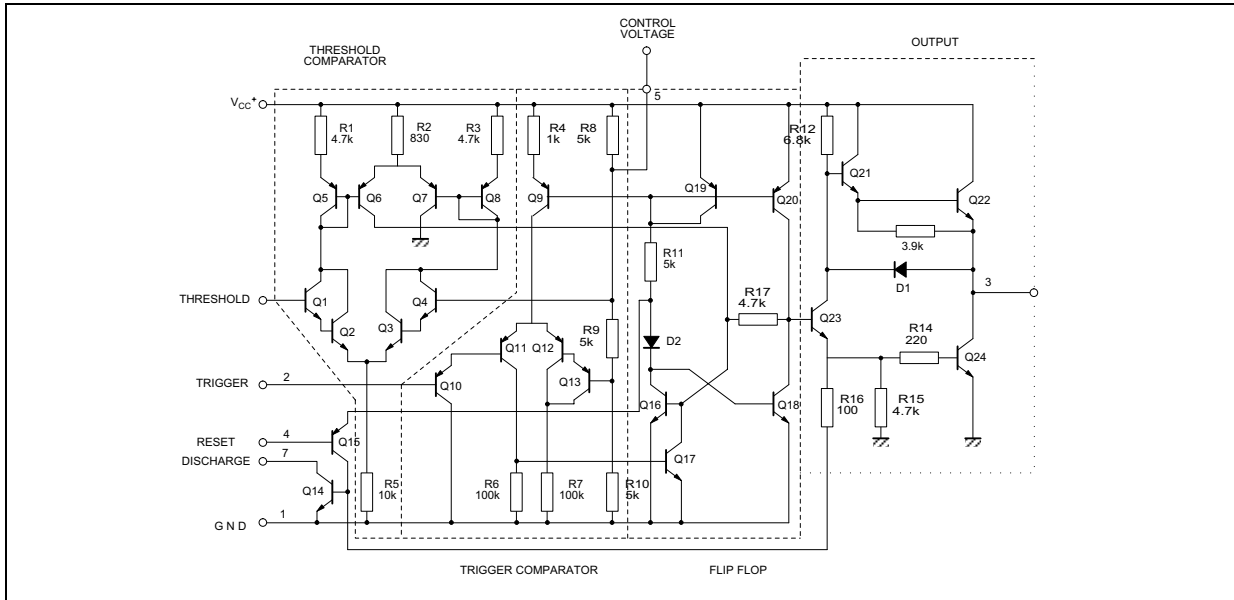


NE555-SA555-SE555

BLOCK DIAGRAM



SCHEMATIC DIAGRAM



ABSOLUTE MAXIMUM RATINGS

Symbol	Parameter	Value	Unit
V_{CC}	Supply Voltage	18	V
T_j	Junction Temperature	150	°C
T_{stg}	Storage Temperature Range	-65 to 150	°C

OPERATING CONDITIONS

Symbol	Parameter	Value	Unit	
V_{CC}	Supply Voltage	NE555 SA555 SE555	4.5 to 16 4.5 to 16 4.5 to 18	V
$V_{th}, V_{trig}, V_{cl}, V_{reset}$	Maximum Input Voltage	V_{CC}	V	
T_{oper}	Operating Free Air Temperature Range	for NE555 for SA555 for SE555	0 to 70 -40 to 105 -55 to 125	°C