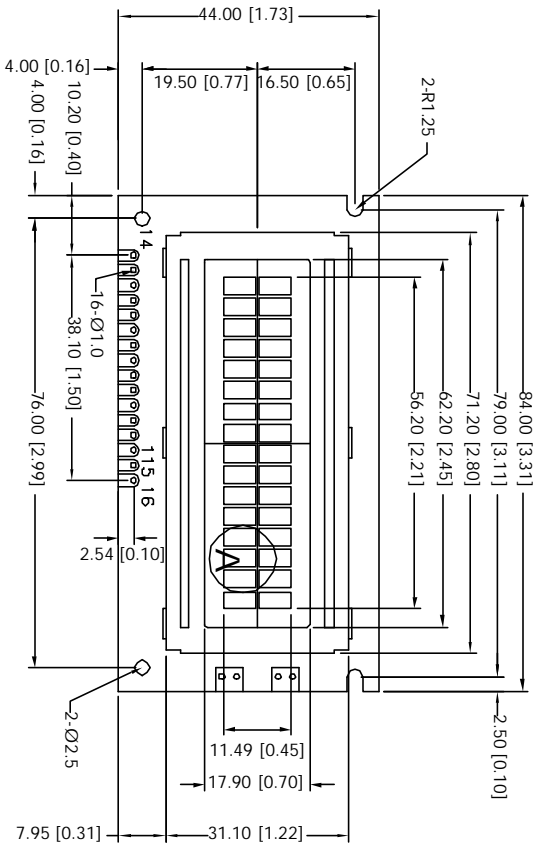
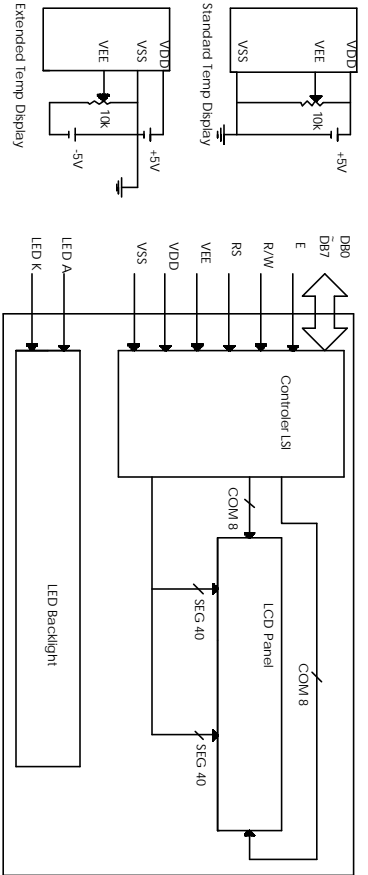


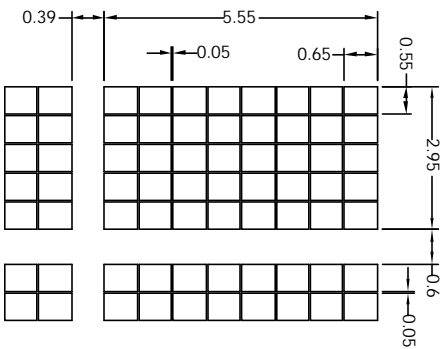
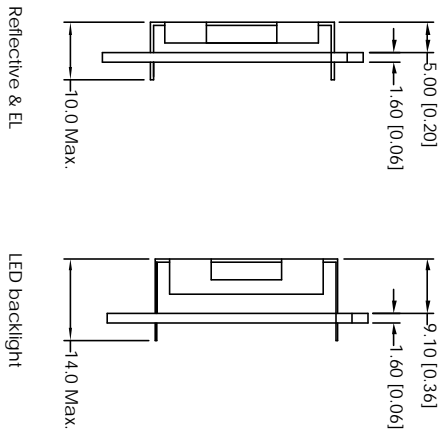
Block Diagram



Mechanical Data

Parameter	Dimensions	Units
Module Size (W x H x L)	84.0 x 44.0 x 10.0*	mm
View Area	62.2 x 17.9	mm
Character Size	5.55 x 2.95	mm
Dot Size	0.55 x 0.65	mm


\* reflective version



A BLOCK

ZONE	REV	DESCRIPTION	DATE	APPROVED
1	1	New Release	8/17/01	

Pin	Symbol	Signal Description
1	VSS	Signal Description Logic Ground (0V)
2	VDD	Signal Description Power supply (5V)
3	VEE	Signal Description LCD Drive Voltage
4	RS	Signal Description Register Select High = Data Low = Instruction
5	R/W	Signal Description High = LCM to MPU Low = MPU to LCM
6	E	Signal Description R/W = High/Data read at falling edge of E R/W = High/Data can be read when E is high
7-14	DB0-DB7	Data Bus 4 or 8 bit parallel, software selectable
15	LED K	LED power supply
16	LED A	LED power supply



**DATA INTERNATIONAL**  
 3501 Quince Orchard Blvd., Suite 195  
 Gaithersburg, MD 20878  
 Phone: 407-380-2342  
 Fax: 407-380-0778

**DV16244**  
 16 Characters x 2 Line LCM

SIZE	FSCM NO.	DMC NO.	REV
SCALE	DATE	SHEET	1
	8/17/01	1 of 1	