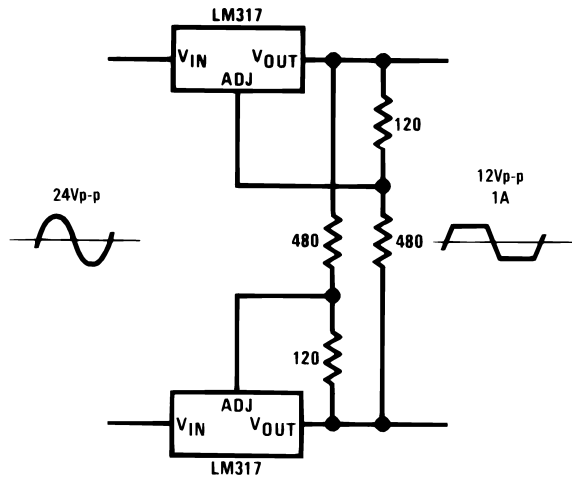


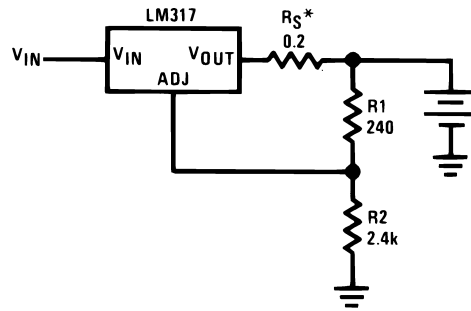
Typical Applications (Continued)

AC Voltage Regulator



00906325

12V Battery Charger

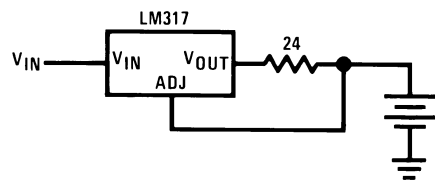


00906326

* R_S —sets output impedance of charger: $Z_{OUT} = R_S \left(1 + \frac{R_2}{R_1} \right)$

Use of R_S allows low charging rates with fully charged battery.

50mA Constant Current Battery Charger



00906327